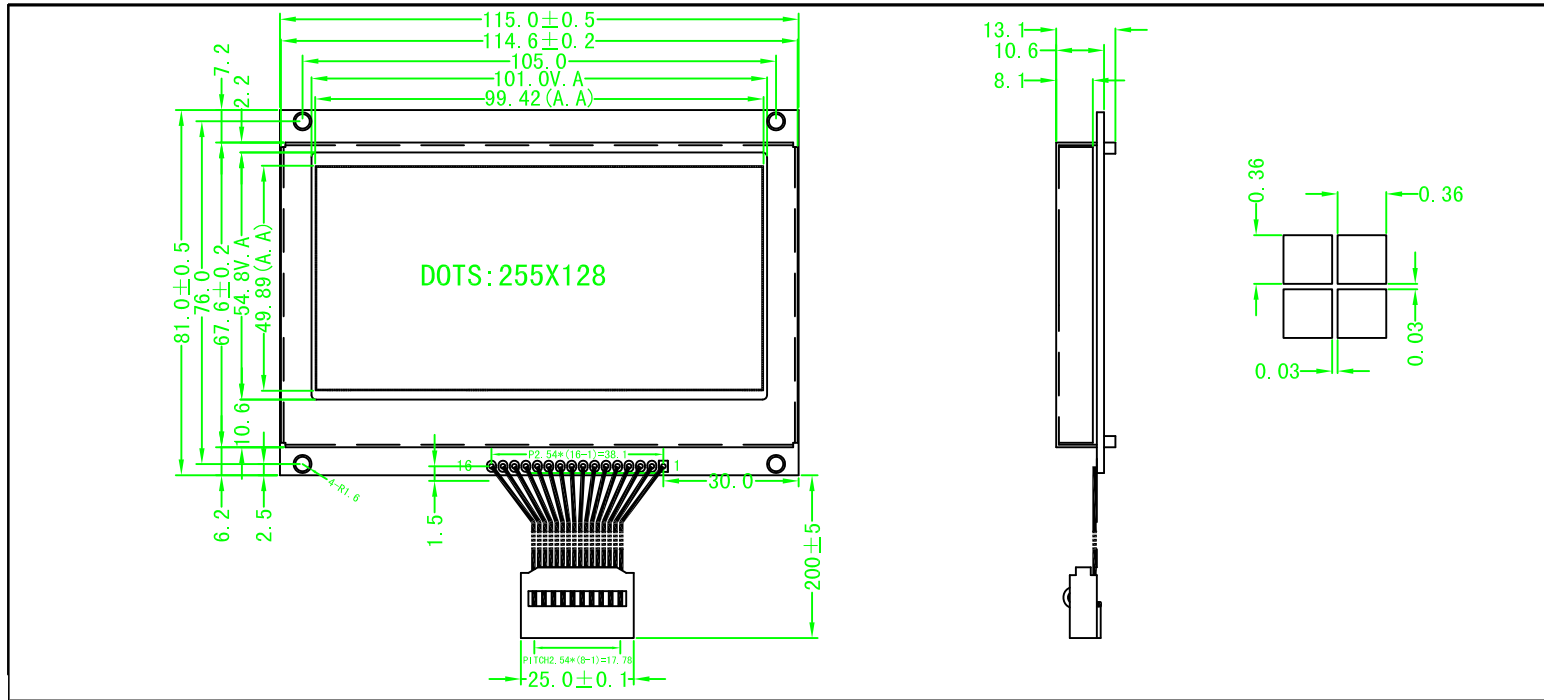
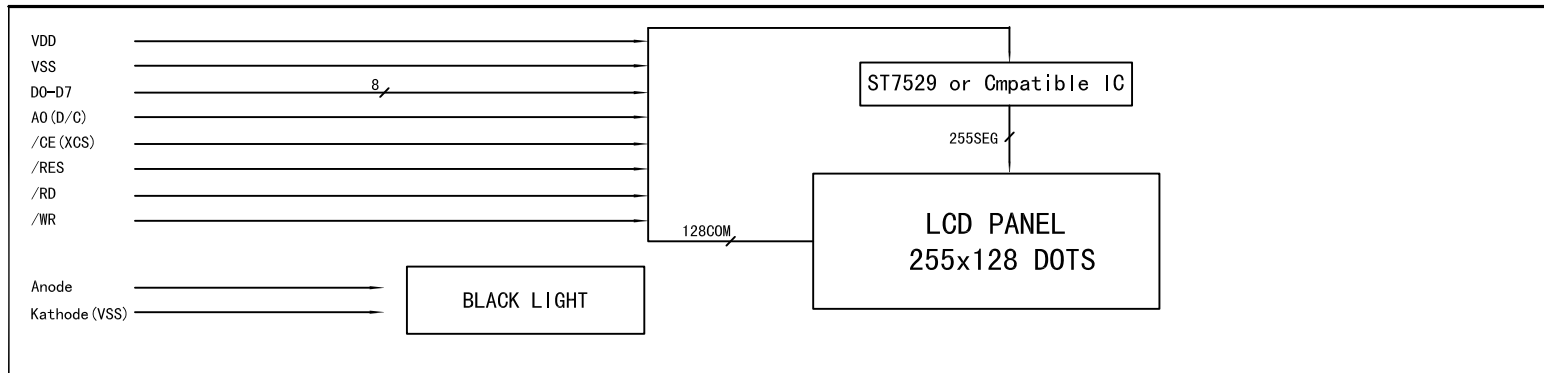




## 1.0 DIMENSIONAL DRAWING



## 2.0 BLOCK DIAGRAM & POWER SUPPLY



## 3.0 MECHANICAL SPECIFICATIONS & FEATURE

Item	Nominal Dimensions (mm)	Feature	
		LCD Type	STN(Y-G)
Module Size (W*H*T)	115.0x81.0x13.1	LCD Coloure	Yellow-green
View Area (W*H)	101.0 x 54.8	View Angle	6 O'clock
Dot x Dot (W*H)	255 x 128	Display Type	Positive Type
Dot Pitch (W*H)	0.39 x 0.39	Rear Polarizer	Transmissive
Dot Size (W*H)	0.36 x 0.36	Operating Temperature	0° C to +50° C
---	---	Storage Temperature	-10° C to +60° C
---	---	Backlight	LED (green)

## 4.0 ELECTRICAL CHARACTERISTICS

Item	Symbol	Test Condition	Min.	Typ.	Max.	Unit
Operating Voltage	Vdd	Ta=25° C	---	3.0	---	V
Operating Voltage For LCD	Vlcd	Ta=25° C	---	14.8	---	V
Supply Current	Idd	Ta=25° C, Vdd=3.0V	---	15	---	μA
Supply Current For Backlight	If	Ta=25° C, VAK=3.0V	---	15	---	mA

## 5.0 INTERFACE PIN CONNECTIONS

Pin No.	Symbol	Level	Description
1	VSS	0V	LCM Power Supply Negative Input Terminal
2	VDD	3.3V	LCM Power Supply Positive Input Terminal
3	/RES	H→L, H	LCM Reset Signal Input Terminal
4	A	4.3V	LED Backlight Power Supply Positive Input Terminal
5	/CE (XCS)	L	LCM Selection Signal Input Terminal
6	A0 (D/C)	H/L	LCM Data/command Signal Input Terminal
7	/WR	L	LCM Write Signal Input Terminal
8	/RD	L	LCM Read Signal Input Terminal
9-16	D7-D0	TRI-STATE	LCM 8-bits Data Input Terminal